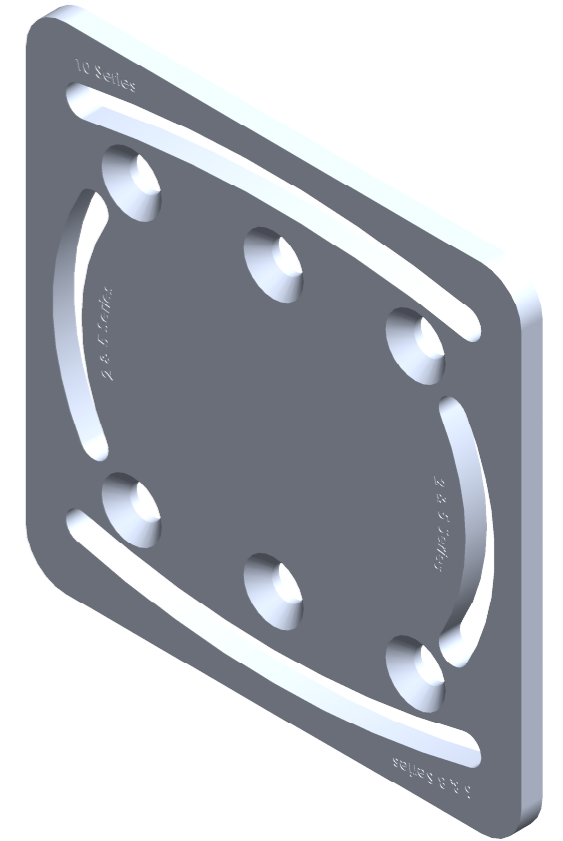
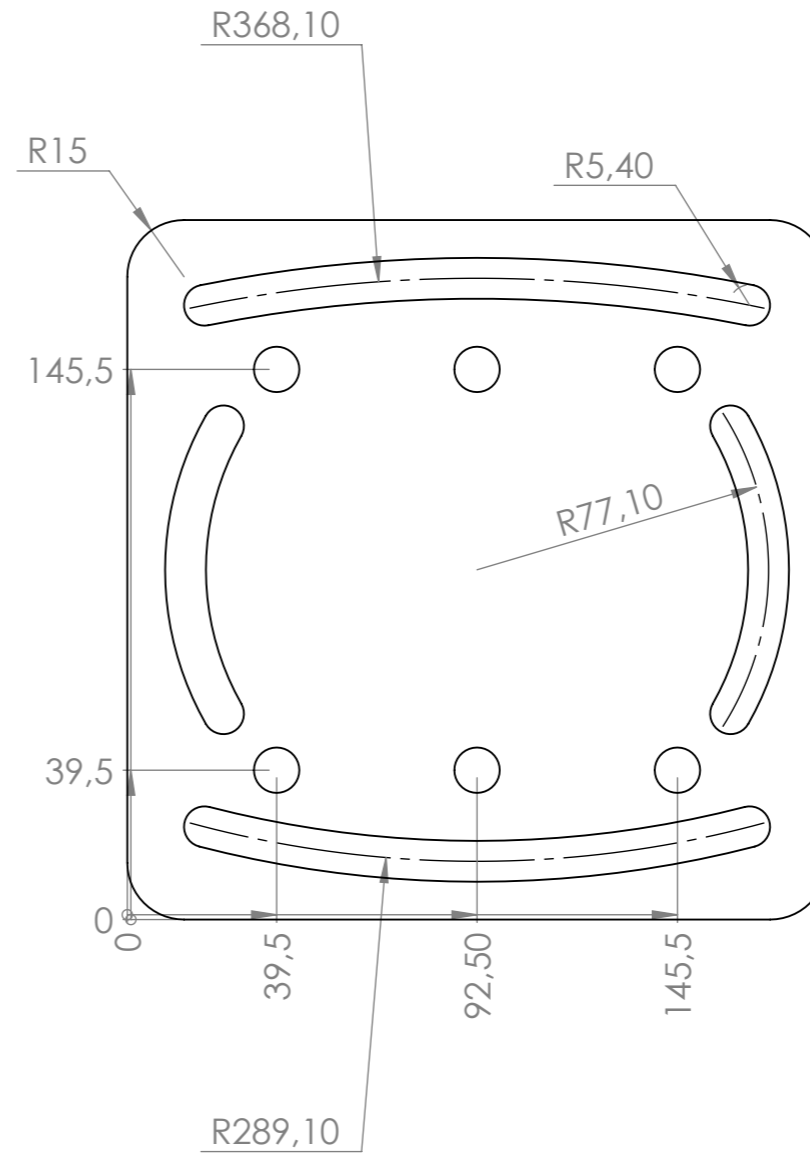
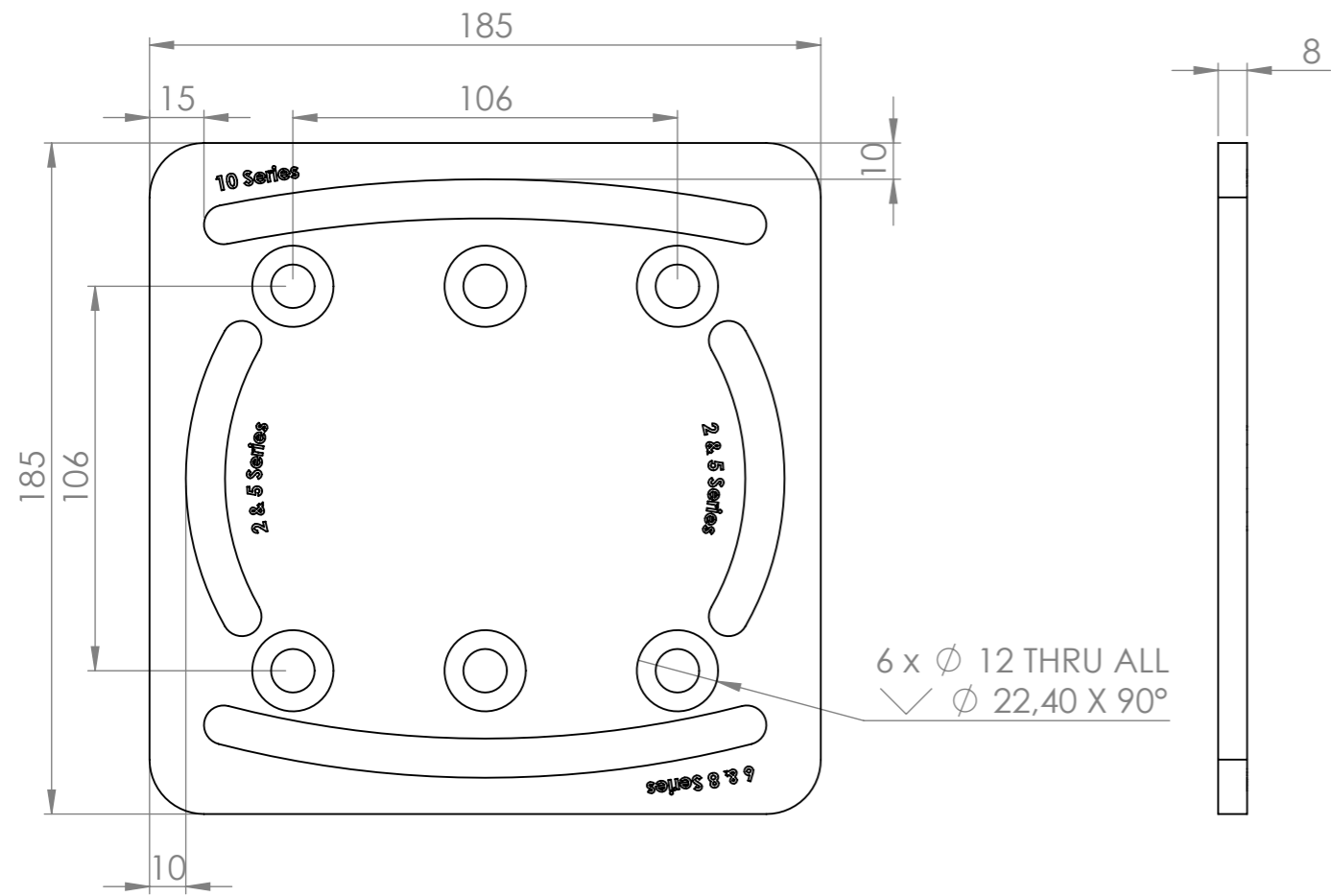
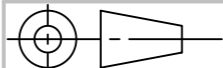



REVISIONS				
REV.	DESCRIPTION	ECO	DATE	CHANGED BY
A	New item		20-12-2021	BAR



 All Dimensions are in mm	DEBURR AND BREAK SHARP EDGES	 Copyright © SGM Light A/S. All rights reserved.
	TOLERANCE: ISO 2768: M	
MATERIAL: EN AW-5754 H22	TITLE: Universal Plate	
FINISH: Glass-shoot Nature Anodized UV protected Continuous inkjet print: black	DWG NO. 17000622-A	
WEIGHT IN GRAMS: 587.93	FIRST USED IN:	DO NOT SCALE DRAWING
		SCALE: 1:2
		SHEET FORMAT: A3
		SHEET 1 OF 1